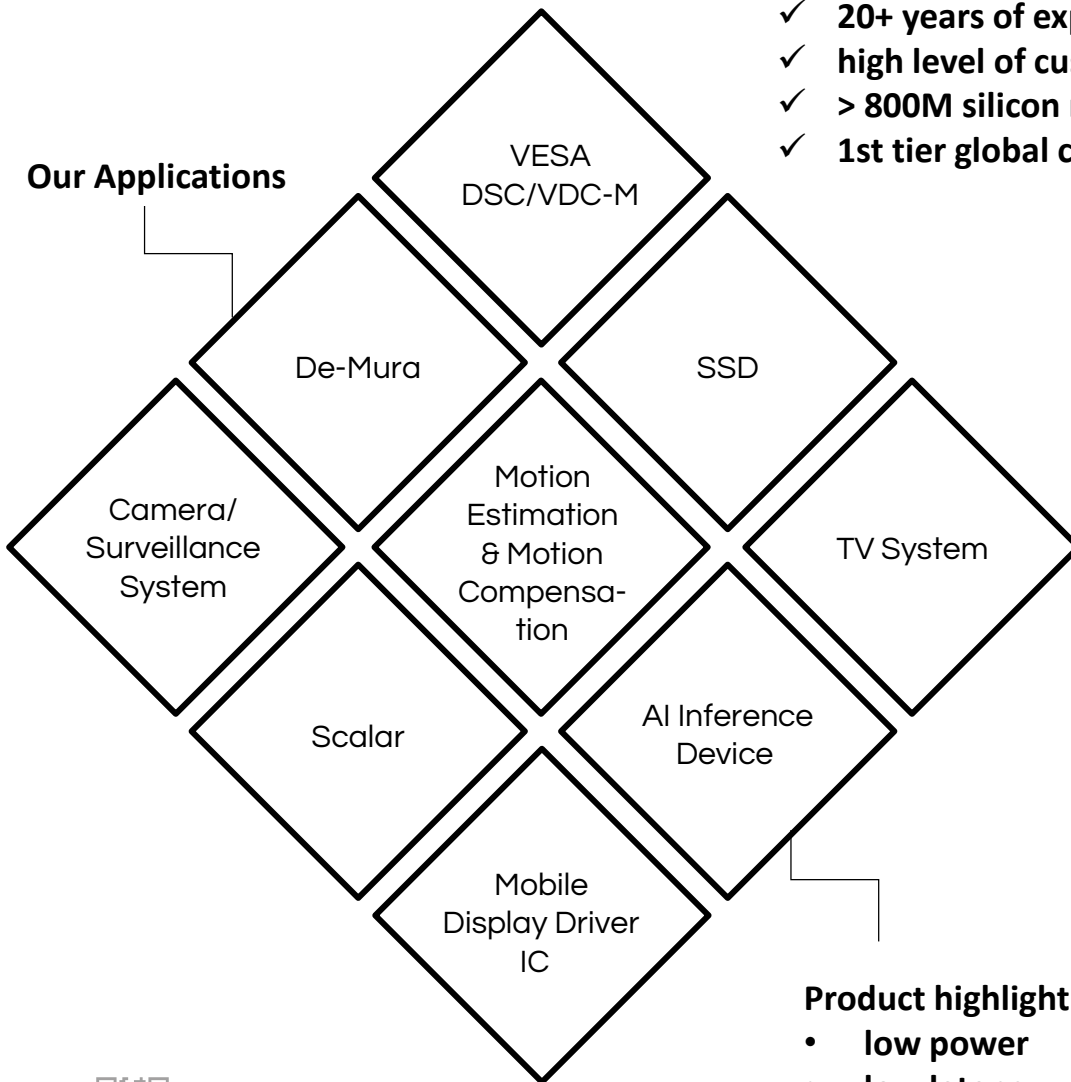


TITC

Image Compression IP specialist

- ✓ 20+ years of experience
- ✓ high level of customization
- ✓ > 800M silicon mass produced
- ✓ 1st tier global customers

Our Applications



Product highlight features:

- low power
- low latency
- small area



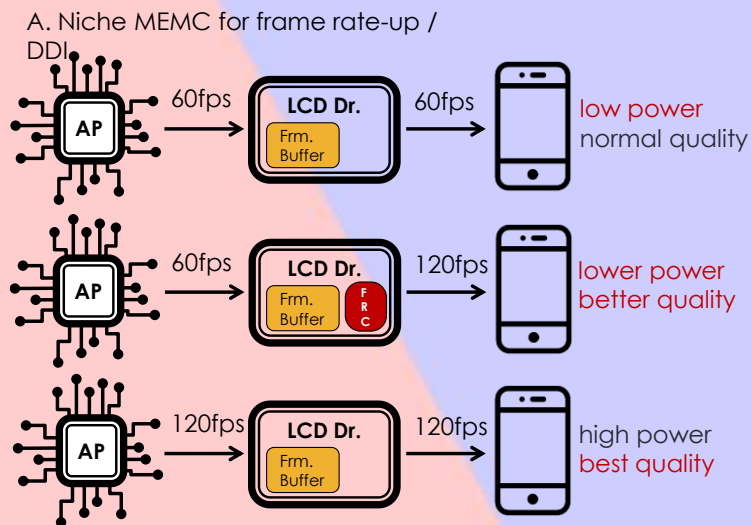
Tel: +886-3-5839011

© www.titc-usa.com

TITC MEMC IP

The technique "Motion estimation and motion compensation(MEMC)" has been developed for a long time and used widely. In order to get perfect quality, general TV-level MEMC will adopt complex algorithms with high hardware cost.

TITC is proposing a light version MEMC solution for some specific applications. One of applications is frame rate converter in DDI. The AP just transmits low frame rate sequences and the sequences will be pumped up doubly in DDI. Therefore, the transition power can be reduced. Also, the ME kernel is also used in 3D noise reduction to predict the motion vector.



B. Niche MEMC for 3DNR / ISP



Stacking frame under low-light view



without NR

with NR